

ACCESS CONTROL ONLY INSTALLATION MANUAL LHF433-RS RADIO RECEIVER



LHF433-RS RADIO RECEIVER
remotely programmable via
BATICONNECT® CLOUD

**BATI
CONNECT**

CLOUD

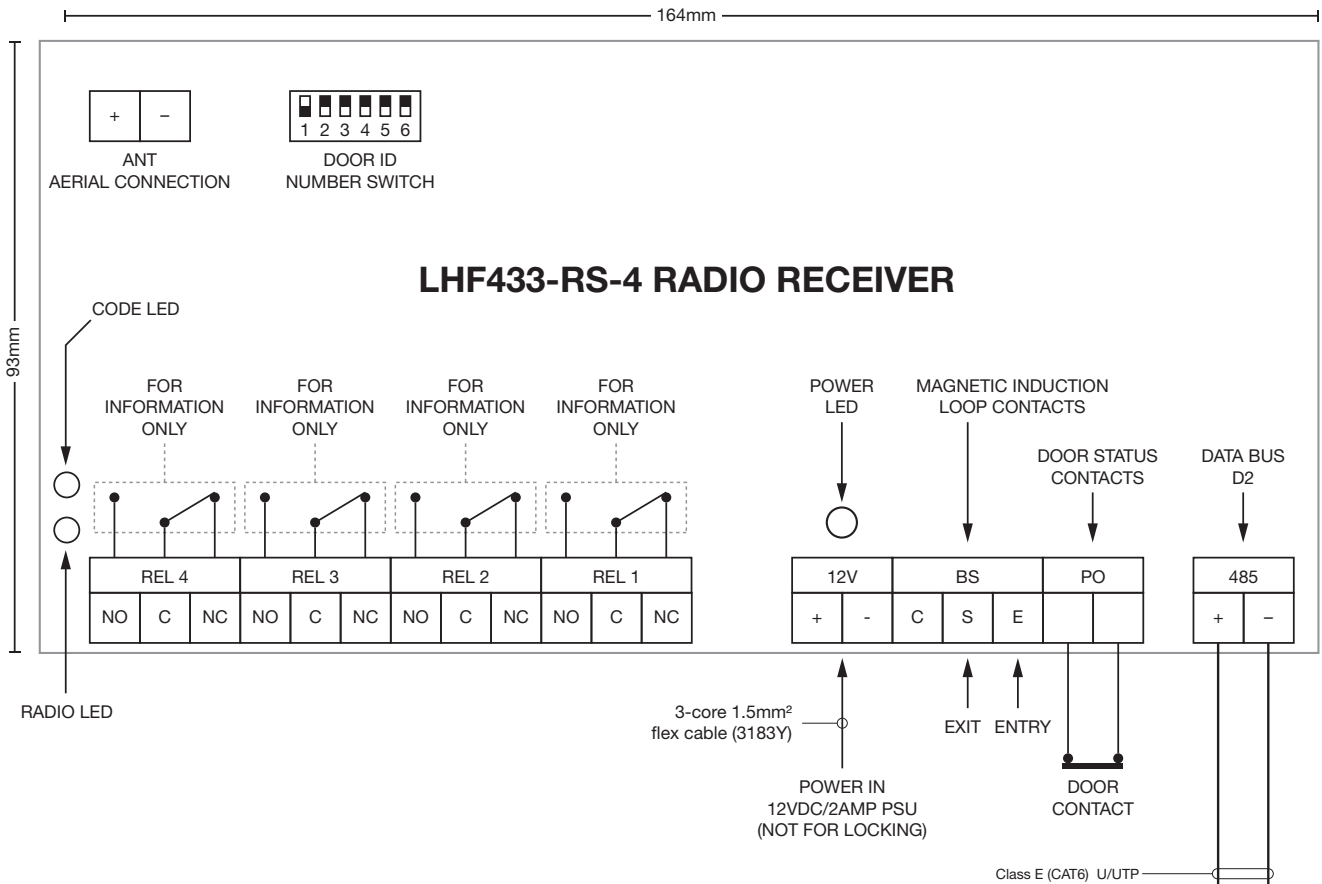
24/7/365

www.baticonnect.com

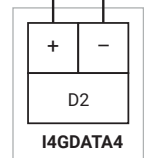
Secured by Design



Official Police Security Initiative



AR12 PSU
12VDC/2A
for LHF Radio Receiver Only



I4GDATA4 MODEM
CONNECTS LHF RADIO RECEIVER TO BATICONNECT.COM CLOUD

DOOR ID SWITCH NETWORK ADDRESS SETTINGS

1 2 3 4 5 6	= 01
1 2 3 4 5 6	= 02
1 2 3 4 5 6	= 03
1 2 3 4 5 6	= 04
1 2 3 4 5 6	= 05*
1 2 3 4 5 6	= 06*

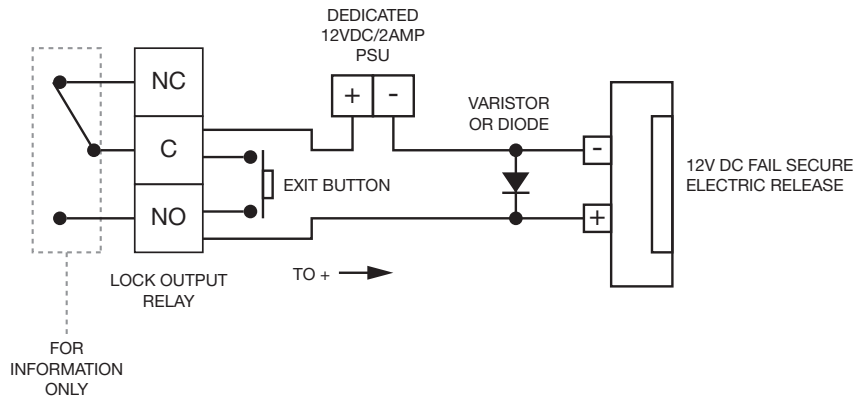
* I4GMDATA10-UK only for settings 05-10

TEL433 RADIO TRANSMITTERS

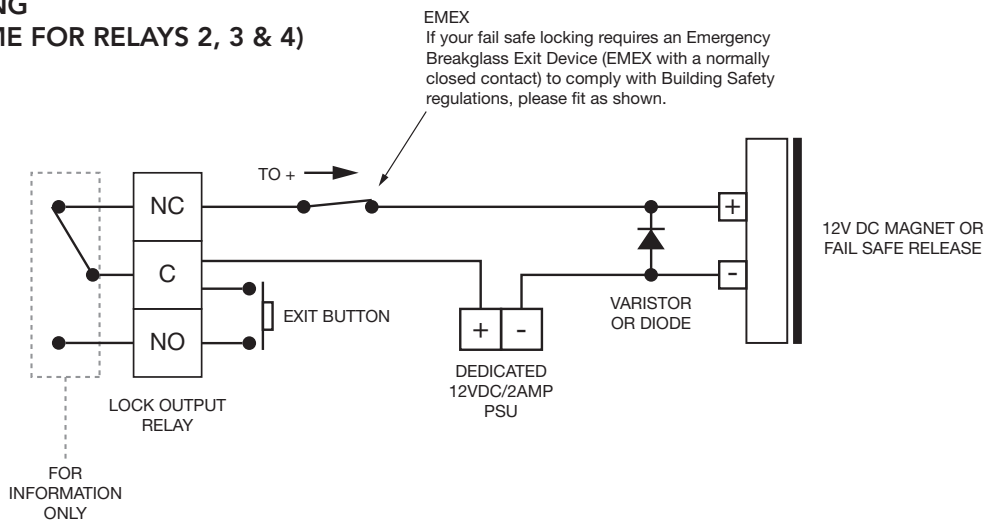
Button 1 = Relay 1
Button 2 = Relay 2
Button 3 = Relay 3
Button 4 = Relay 4

fully configurable via BATICONNECT.COM as required for installation

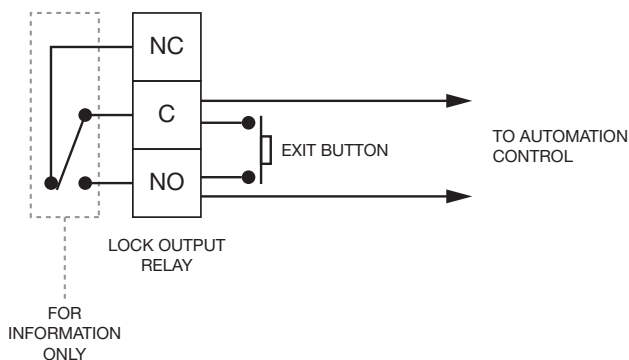
**FAIL SECURE LOCKING
LHF RELAY 1 (SAME FOR RELAYS 2, 3 & 4)**



**FAIL SAFE LOCKING
LHF RELAY 1 (SAME FOR RELAYS 2, 3 & 4)**



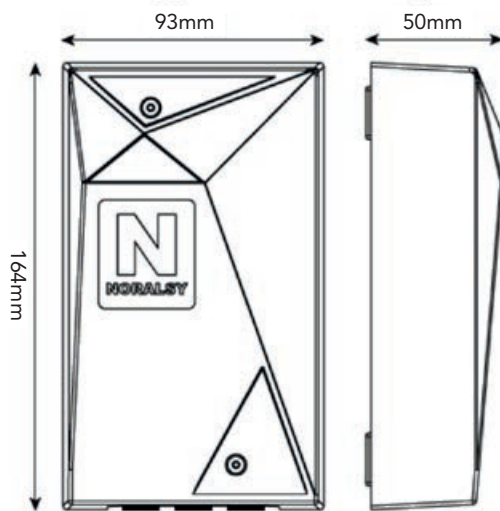
**AUTOMATION CONTROL / VOLT-FREE
LHF RELAY 1 (SAME FOR RELAYS 2, 3 & 4)**



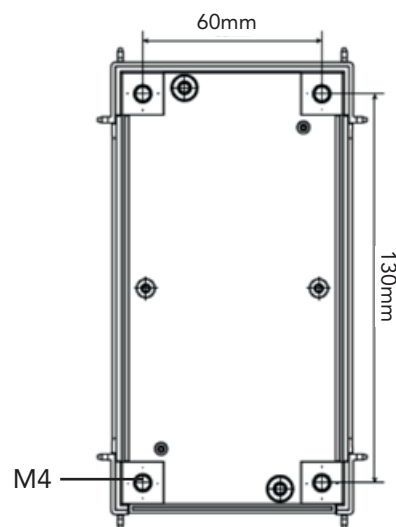
Bracket, aerial and RG58 coaxial cable (5 metres) included



8mm screw fixings



Case dimensions



M4

Wall mounting plate dimensions

LOCKING CIRCUIT CABLE 4 x 1 YY/LSZH (3184B LSZH)

Q13026

Maximum distance from locking to power supply location:
50 metres for 1 amp lock
30 metres for 2 amp lock

Fail safe locking relies on the locking receiving the correct voltage and current. Fail secure electro-mechanical locking always requires a 3rd core control cable. Only industry reference 4 x 1 YY/LSZH cabling (or Fire Protected equivalent, if applicable) is to be used. Alarm, data or communications cabling; for example; CAT5E, CW1308 is unacceptable.



CABLE REFERENCE:
4 x 1 YY/LSZH
PER LOCK

Conductors:	Flexible copper, class 5.
Core identification:	4 core: brown, grey, black, green/yellow
Insulation:	LSZH
Sheath/Jacket:	LSZH
Colour:	Grey
Voltage:	300/500V
Operating temperature:	-5°C / + 70°C
Minimum bending radius:	6 x overall diameter
Standards:	BS EN 50525-3-11, EN 61034-2, EN 60332-1-2.

Core size sq.mm	No of cores	Radial thickness of insulation mm	Nominal overall diameter mm	Weight kg/km
1	4	0.6	7.9	99

T: 01322-441165 Product ref: 3184B-Grey Part number: 45574 www.batt.co.uk

PROTECTION VARISTOR OR DIODE FOR LOCKING

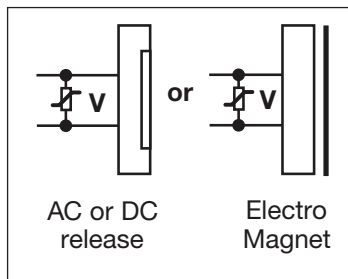
The use of a varistor or diode protects electrical equipment from transient voltage spikes.

Varistor



Fit the varistor close to the AC or DC release or the DC magnet.

Varistor is polarity insensitive.

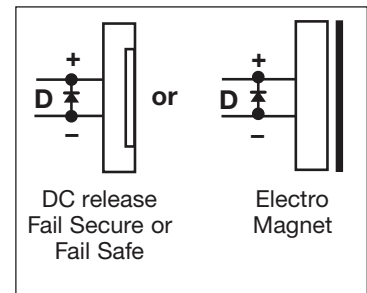
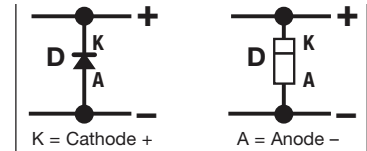


Diode



Fit the diode ref. IN4001 close to the DC release or electro-magnet.

Respect polarity of the diode. Incorrect fitting of a diode will cause a short circuit.



CABLES CPR COMPLIANT TO CCA, S1B, D2, A2 OR BETTER

Refer to Construction Products Regulations (CPR)- BS6701 and ISO/IEC 11801-6: 2017 Part 6: Distributed Building Services (or BS EN 50173-6:2018 Part 6: Distributed Building Services).

1. Only use CPR compliant cabling.
2. Never use BT cable ref. CW1308 for access control systems.
3. Make sure duct or external grade cable equivalents are used whenever applicable.
4. Any and all system/equipment guarantees relating to correct functionality and reliability only apply if 1st fix cabling, cables used, and mains power requirements are provided strictly in accordance with the installation instructions supplied.

SPECIFICATIONS



	LHF433-RS-1 RADIO RECEIVER	LHF433-RS-4 RADIO RECEIVER
REFERENCES	LHF433-RS-1	LHF433-RS-4
MECHANICAL CHARACTERISTICS		
Dimensions (HxWxD)	164 x 93 x 50 mm	
Weight	350g	
Material	ABS	
IP protection	IK08 / IP65	
ELECTRICAL CHARACTERISTICS		
Voltage	12VDC	
Consumption	150 mA	
Power supply	12VDC / 2A	
Relay	1no 5 Amp rated NO/NC programmable	4no 5 Amp rated NO/NC programmable
Operating temperature	-20°C to 65°C	
FEATURES		
Bus	Max length 400 metres using Class E (CAT6) U/UTP in series	
Capacity	2000 radio transmitters	
Frequency	433MHz	
Range	Maximum 50 metres with no obstructions	
Magnetic induction loop contacts	Yes	
Door status contacts	Yes	
Calendar function	8no week types with baticonnect.com	
Programming	www.baticonnect.com available 24/7/365	



+44 (0)1442 211848
estimating@nacd.co.uk

www.nacd.co.uk
f in nacdltd

Unit 8, Heron Business Park, Eastman Way,
Hemel Hempstead, Hertfordshire, HP2 7FW

