

Access Control Extension Module

IPI-AC-EXT

IPI-AC-EXT

ACCESS CONTROL EXTENSION MODULE

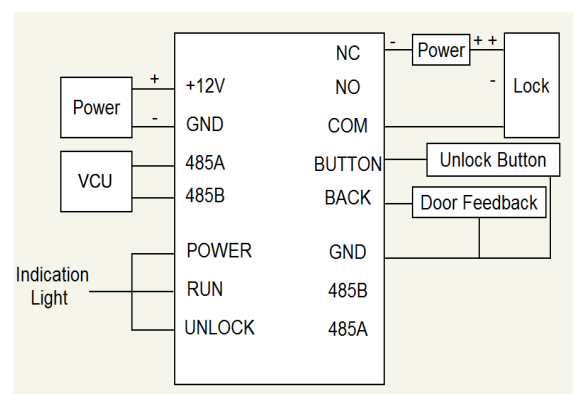
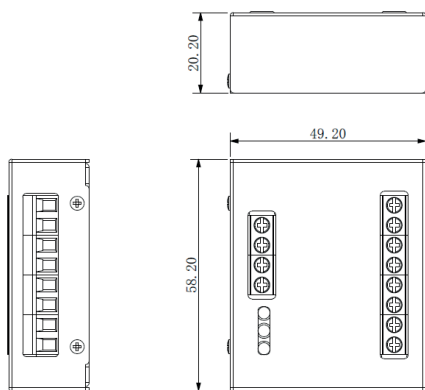


Features

- Compact and robust
- Simple and easy to install
- High security with the locking relay located on the secure side

Technical Specification			
Access Control		Reporting	
Lock NO Output	Yes	Access	Yes
Lock NC Output	Yes	Alarm	Yes
Open Button	Yes	Basic Specifications	
Door Status Detection	Yes	Power	DC12V±10%
Real Time Clock		Power Consumption	Standby ≤0.5W, Working ≤1W
Clock Adjustment	Yes	Environment	-10°C~+60°C
RTC Time Protection in Outage	Yes		10%~90%RH
		Dimensions	58mm*51mm*24.5mm (L*W*T)
		Weight	0.56 Kg

Dimensions	Interface
------------	-----------



+44 (0)1442 211848
estimating@nacd.co.uk

www.nacd.co.uk
f in nacldtd

Unit 8, Heron Business Park, Eastman Way,
Hemel Hempstead, Hertfordshire, HP2 7FW

Secured by Design



Official Police Security Initiative

