

# Concierge Station

IPI-MON-CS-10-V1



- Highly convenient, it has a 10-inch glass touch screen with a 1024 (H) × 600 (V) resolution and supports speaker phone and handsets.
- Supports desk mount installation, and the bracket can be adjusted from 0°–45°.
- Offers HDMI output with a resolution up to 1024 (H) × 600 (V).
- The intercom can be set for residential areas and use in industries.
- Buildings intercom:  
Doors can be remotely unlocked during monitoring and while the intercom is in use.
- Features two-way communication for indoor monitors and visitor call unit.
- Records videos, takes snapshots and stores information on SD cards during monitoring and while the intercom is in use.
- Industry intercom:  
300 IP indoor monitors can be connected to the master station.
- Supports two-way communication with emergency phone terminals and emergency phone terminal stations.
- Monitors 4 channel door stations and security cameras at the same time.
- Records videos, takes snapshots and stores information on SD cards while the emergency phone terminal and emergency terminal station are performing monitoring and using the intercom.
- Offers two-way communication between stations.

## Technical Specification

### System

Main Processor	Embedded Processor
Operating System	Android 11
Button Type	Mechanical
Interoperability	ONVIF; CGI; SDK; SIP
Network Protocol	IPv4; RTSP; UDP; FTP; RTP; TCP

### Basic

Screen Type	Capacitive Touchscreen
Display Screen	10" TFT display
Screen Resolution	1024 × 600
Video Compression	H.264; H.265
Video Resolution	720p
Video Frame Rate	25 fps
Video Bit Rate	2 Mbps
Audio Compression	G.711a; G.711u; PCM
Audio Input	2 Channels
Audio Output	Built-in speaker; handset speaker
Audio Mode	Two-way audio
Audio Enhancement	Echo suppression/digital noise reduction
Audio Bit Rate	16 kHz, 16 Bit

### Function

Communication Mode	Full digital
Multi-Window Display	Supports splitting to 4 windows and monitoring 4-ch 720p videos.

## Use Cases

Suitable for use in residential areas and a variety of industries.

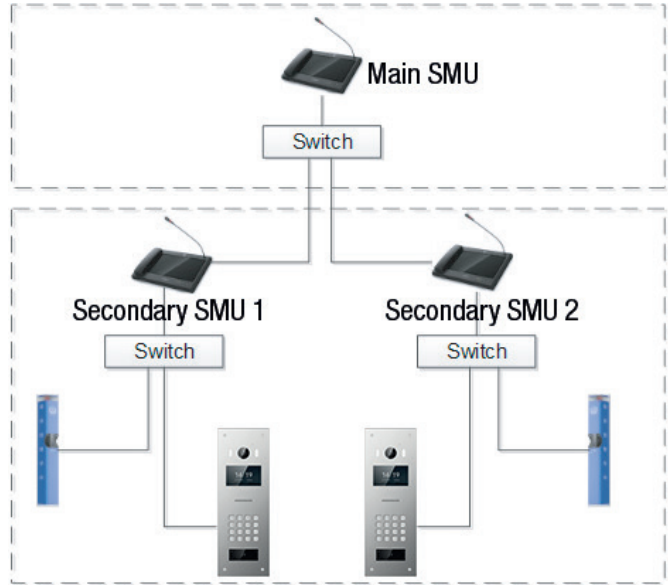
Storage	Micro SD, Max 512 GB
Web Configuration	Yes
Auto Registration	Yes
Access Device	Building mode: Up to 32 visitor call units. Up to 32 security cameras. Industry mode: Up to 300 indoor monitors (added through IP). Up to 32 security cameras.

## Performance

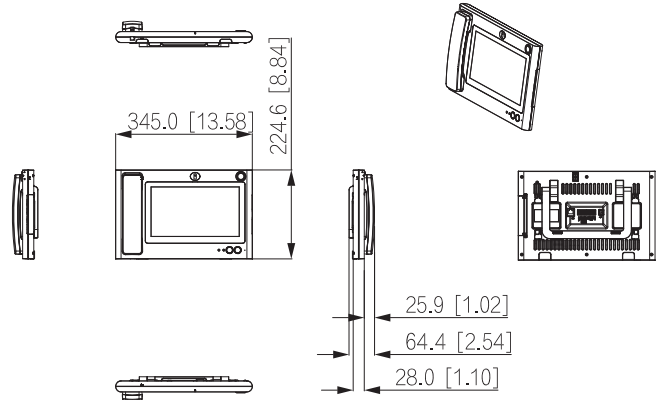
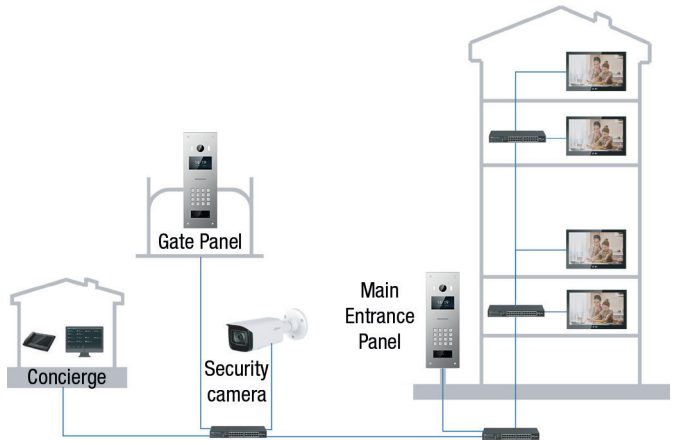
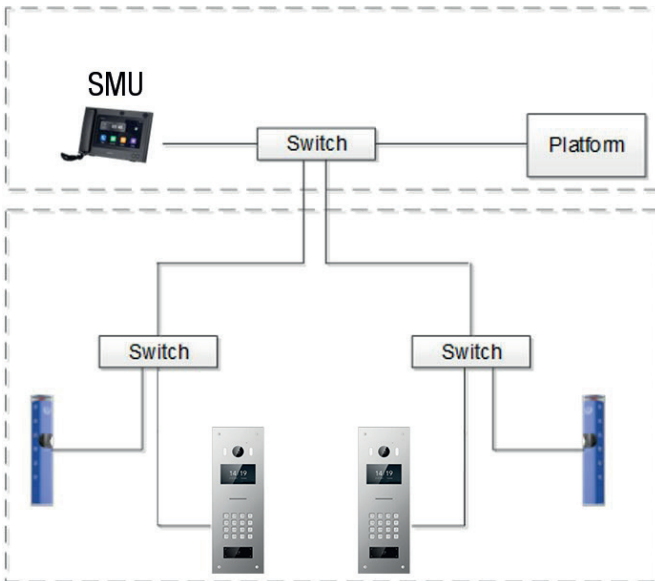
Casing Material	PC + ABS
Port	
RS-485	1
HDMI	1
USB	1 × USB 2.0 port 1 × USB 3.0 port
Power Output	1 channel, 12 V/200 mA
Network Port	1 × RJ-45 100 Mbps/1000 Mbps self-adaptive

General

Appearance Color	Titanium gray
Power Supply	12 VDC, 4A
Power Adapter	Included
Installation	Desk Mount
Certifications	CE; FCC
Accessory	Power adapter; power cord; handset cord
Product Dimensions	345.00mm × 224.60 mm × 64.42 mm (13.58" × 8.84" × 2.54")
Operating Temperature	-10 °C to +55 °C (14 °F to +131 °F)
Operating Humidity	5%–90% (RH) (Non-condensing)
Power Consumption	≤ 5 W (standby), ≤ 10 W (working)
Gross Weight	2.5 kg (5.51 lb)
Storage Temperature	0 °C to +40 °C (+32 °F to +104 °F)
Storage Humidity	30% to 75% (RH)



Application



ACCESS ■ COMMUNICATIONS ■ CCTV

+44 (0)1442 211848  
estimating@nacd.co.uk

www.nacd.co.uk  
f in nacldtd

NACD Limited, 1 Enterprise Way,  
Hemel Hempstead, HP2 7YJ

